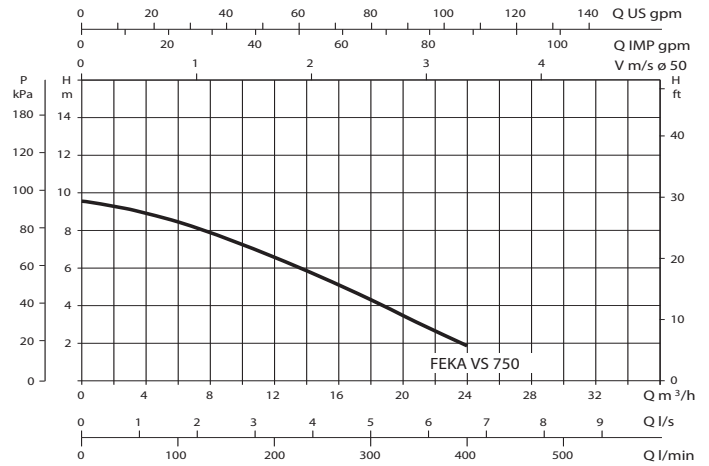
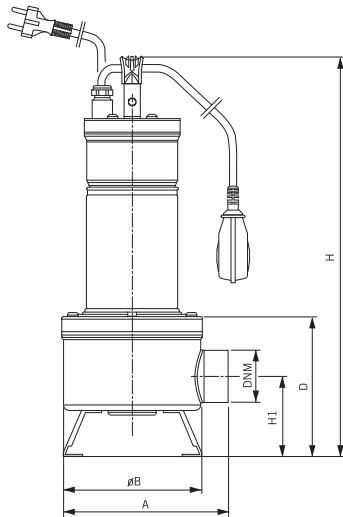




- Stainless Steel submersible centrifugal pump with microcasted steel vortex impeller. Suitable for lifting sewage and general drainage applications containing solids up to 50mm in diameter.
- Equipped with float switch for automatic operation.
- Equipped with power cable with plug.
- Insulated carry handle
- Dual mechanical seals, seal in oil chamber on motor side.
- Suitable for continuous duty with liquid temperature up to 35°C when pump is completely submerged.
- Overcurrent protection.



**MINIMUM
 PIT SIZE
 700x700mm**

MODEL	A	B	D	H	HI	DNM	PACKING DIMENSIONS		
							L/A	L/B	H
FEKA VS 750	203	170	172	492	98	2" F	240	600	240

Liquid:		Electrical Data:	
Liquid Type:	Sewage, Dirty Water	Rated Voltage:	240V
Solid Handling:	50 mm Ø	Rated Output:	0.75 kW
Liquid Temperature Range:	0-35 °C	Power:	1 HP
		Mains Frequency:	50 Hz
		Current:	5.13 A
		Capacitor:	20 µF
Materials:		Motor Duty:	Continuous (35 °C Liquid - Fully Submerged)
Pump Body:	304 Stainless Steel	Motor Type:	Asynchronous
Impeller:	304 Stainless Steel (Microcasted)	Motor Protection:	Built-in Thermal Overload
Elastomers:	Nitrile	Ingress Protection:	IP 68
Rotor/Shaft:	316 Stainless Steel	Insulation Class:	F
Mechanical Seal:	Pump: SIC/SIC Motor: Carbon/Alumina	Power cable length:	10m H07RN-F
Installation:		Hydraulic Data:	
Max Ambient Temperature:	40 °C	Max Flow (l/min):	400
Discharge Size/Pipe Connection:	2" F BSP	Max Head (m):	9.5
Net weight:	17.5 kg		
Dimensions (mm):	H 492 x W 203		

